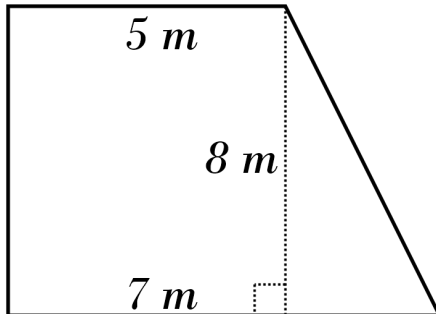


Area of Trapezoids

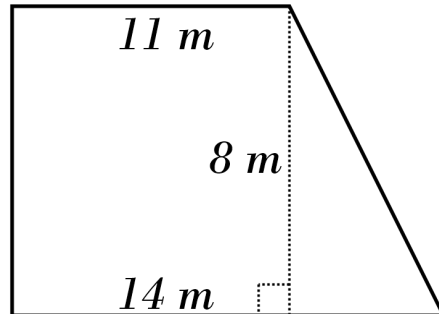


Find the area of each trapezoid.

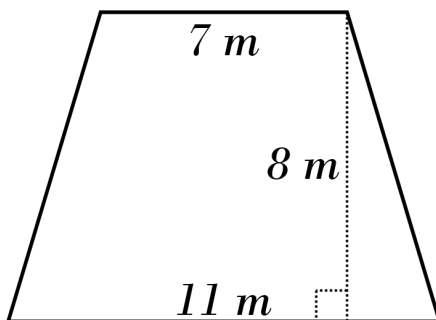
1)



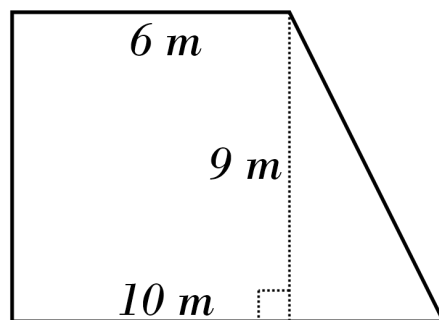
2)



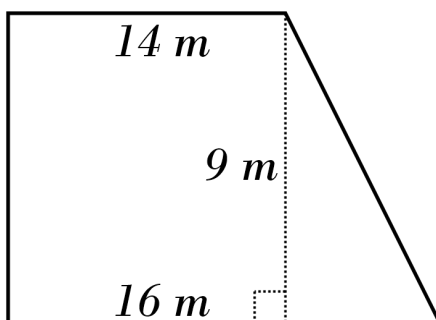
3)



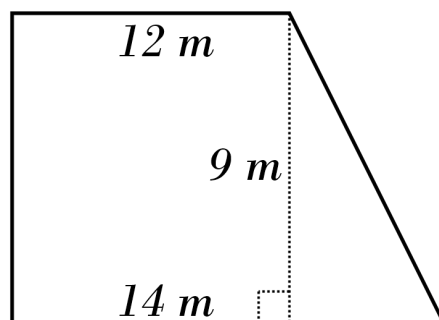
4)



5)



6)

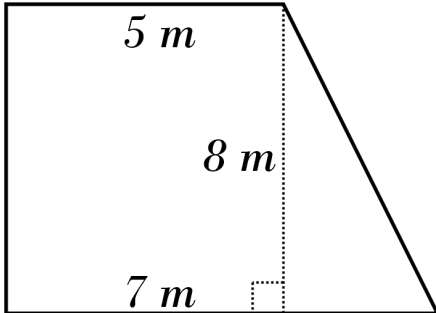


Answers of Area of Trapezoids

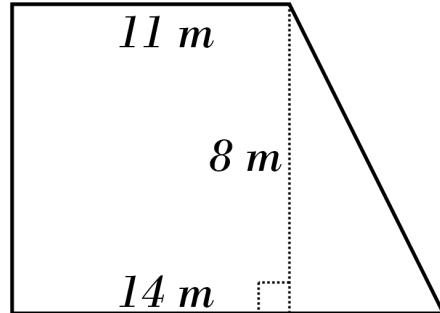


Find the area of each trapezoid.

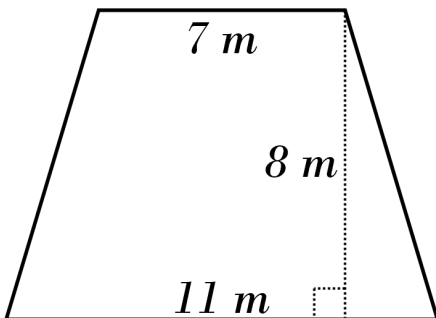
1) 48 m^2



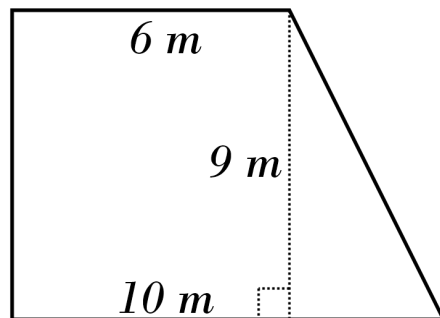
2) 100 m^2



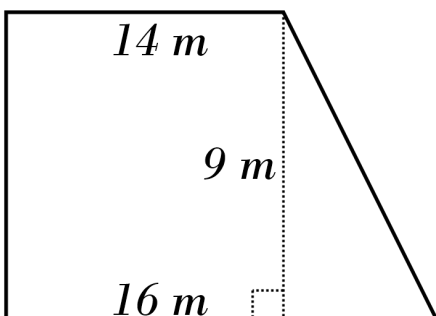
3) 72 m^2



4) 72 m^2



5) 135 m^2



6) 117 m^2

