

Area of Squares, Rectangles, and Parallelograms

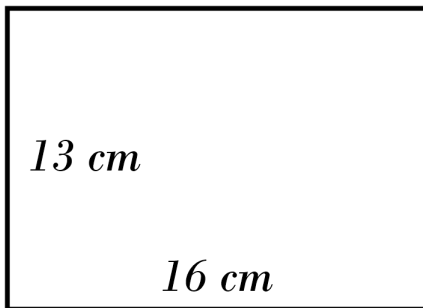


testinar.com/t/?c=14

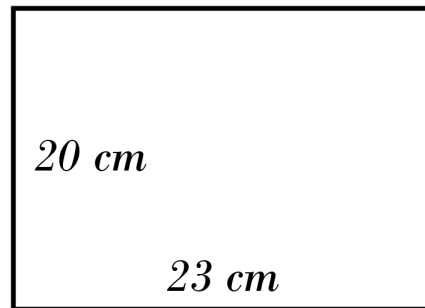


Find the area of each.

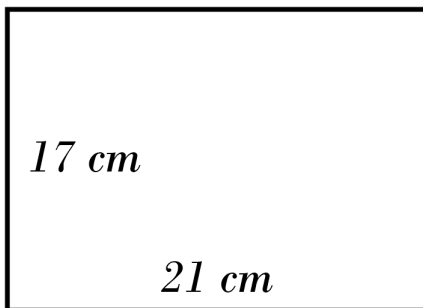
1)



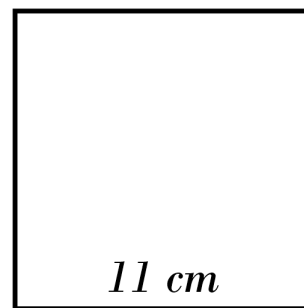
2)



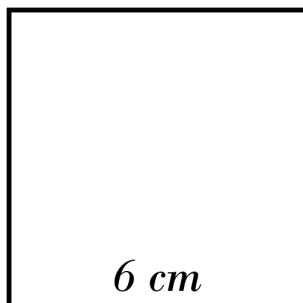
3)



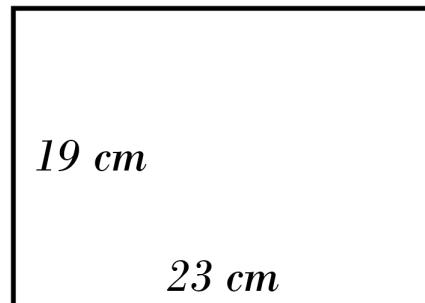
4)



5)



6)

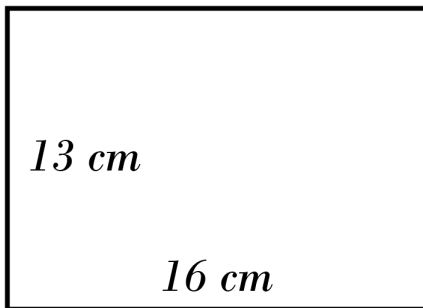


Answers of Area of Squares, Rectangles, and Parallelograms

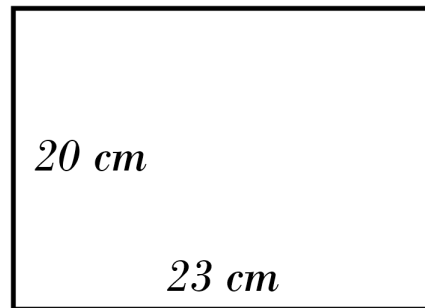


Find the area of each.

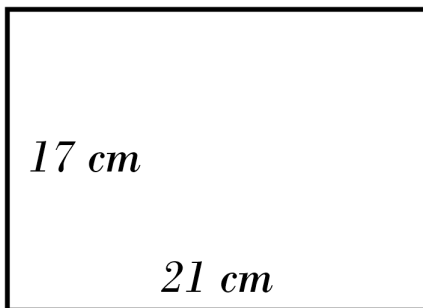
1) 208 cm^2



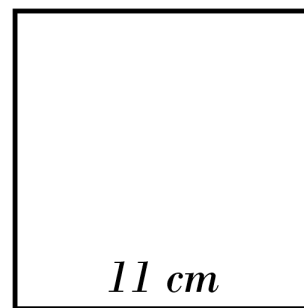
2) 460 cm^2



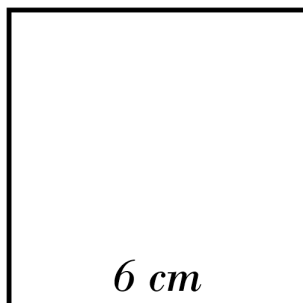
3) 357 cm^2



4) 121 cm^2



5) 36 cm^2



6) 437 cm^2

