

Area of Trapezoids

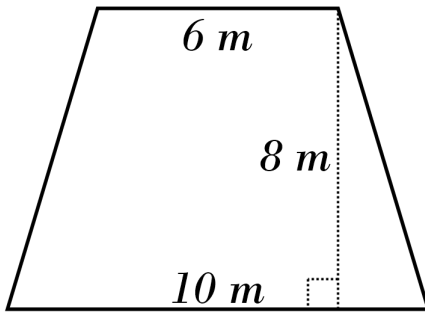


testinar.com/t/?c=14

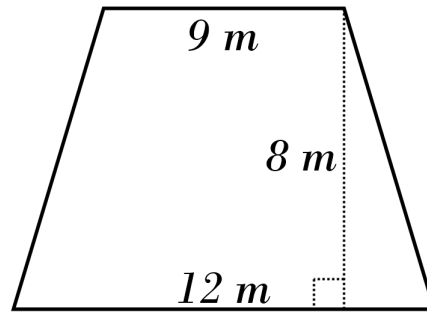


Find the area of each trapezoid.

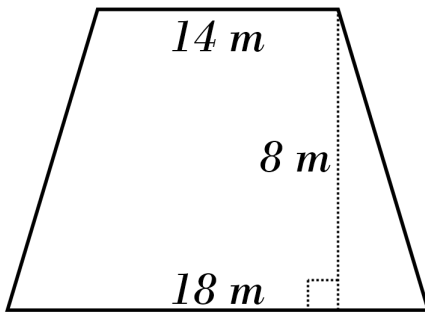
1)



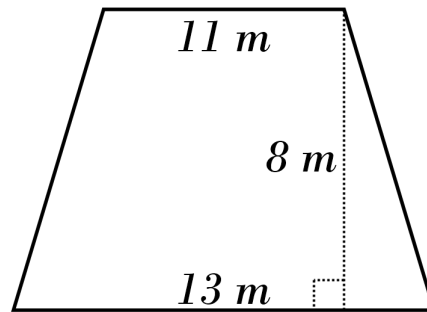
2)



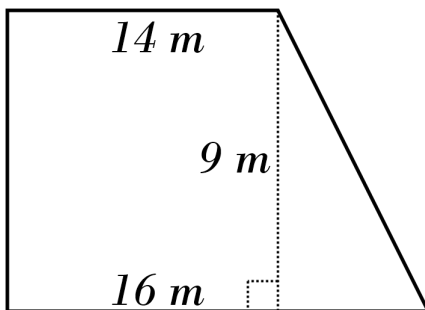
3)



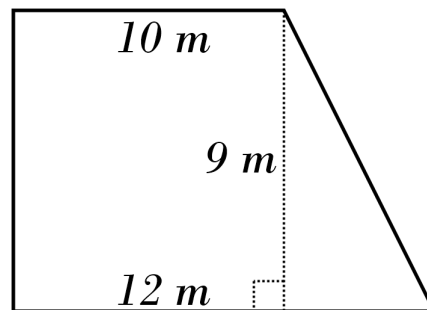
4)



5)



6)

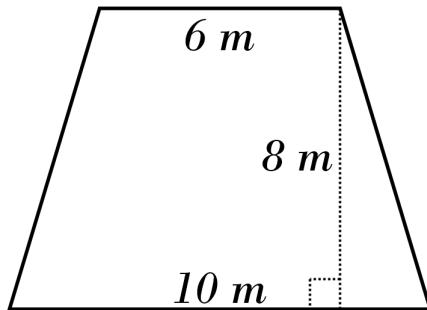


Answers of Area of Trapezoids

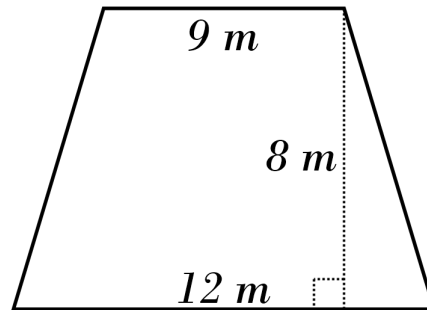


Find the area of each trapezoid.

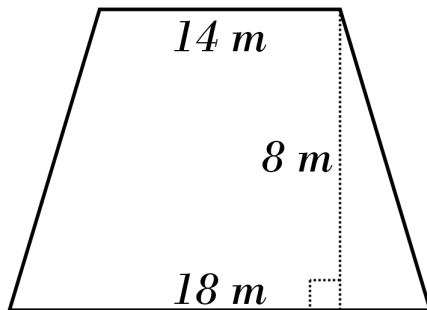
1) 64 m^2



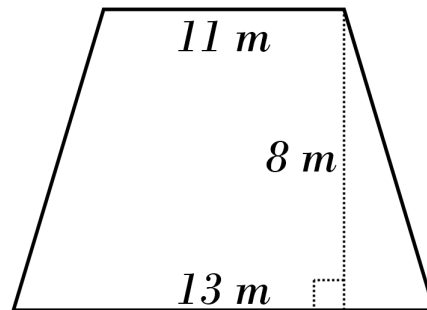
2) 84 m^2



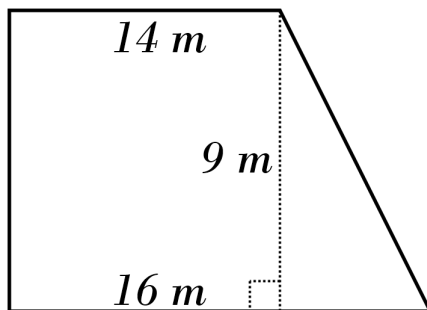
3) 128 m^2



4) 96 m^2



5) 135 m^2



6) 99 m^2

