



Area and Circumference of Circles

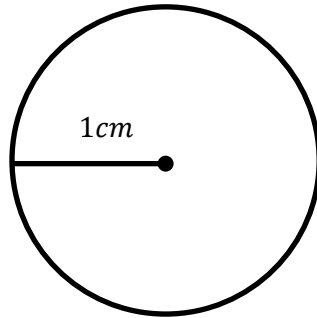
Name: _____

Date: _____

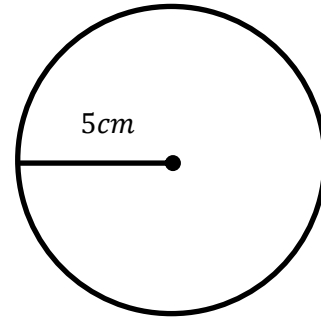


Find the area and circumference of each.

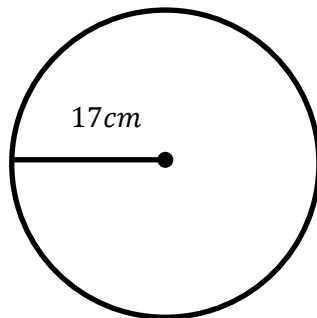
1)



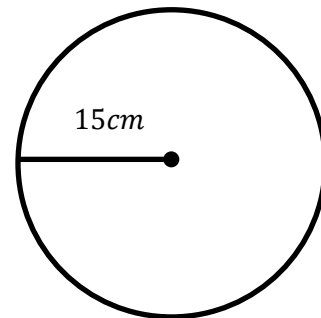
2)



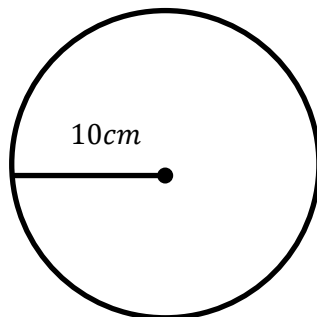
3)



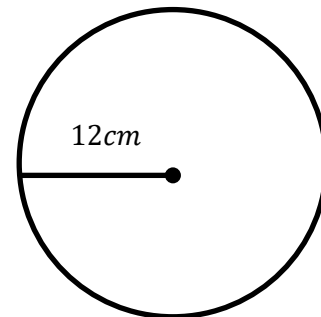
4)



5)



6)



QUIZ ?

So Much More Online! Please visit: testinar.com

MORE ?

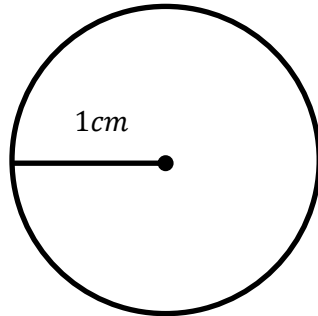


Answers

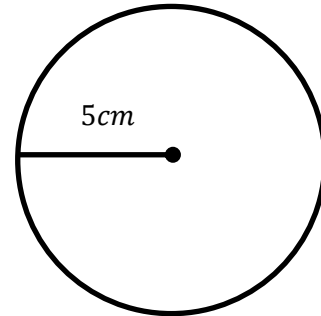


Find the area and circumference of each.

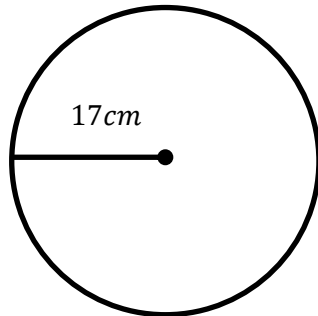
1) *Area: 3.14 cm^2*
Circumference: 6.28 cm



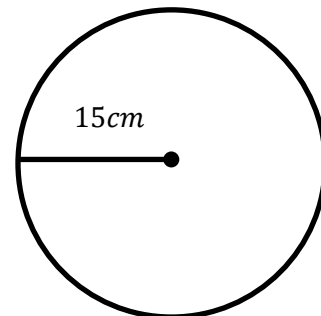
2) *Area: 78.5 cm^2*
Circumference: 31.4 cm



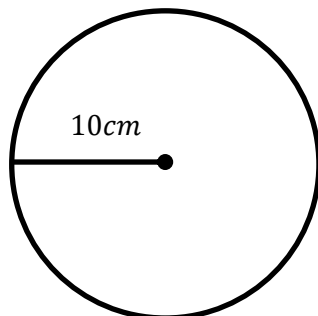
3) *Area: 907.46 cm^2*
Circumference: 106.76 cm



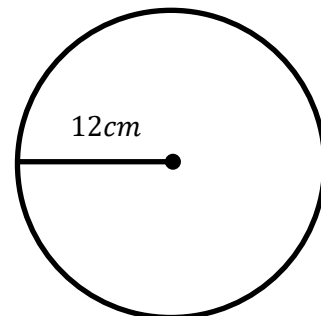
4) *Area: 706.5 cm^2*
Circumference: 94.2 cm



5) *Area: 314 cm^2*
Circumference: 62.8 cm



6) *Area: 452.16 cm^2*
Circumference: 75.36 cm



QUIZ ?

So Much More Online! Please visit: testinar.com



MORE ?