

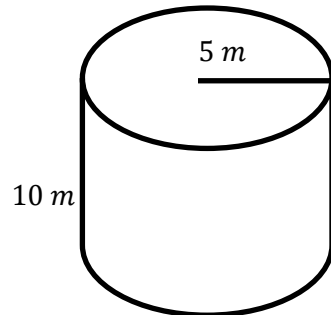


# Surface Area of a Cylinder

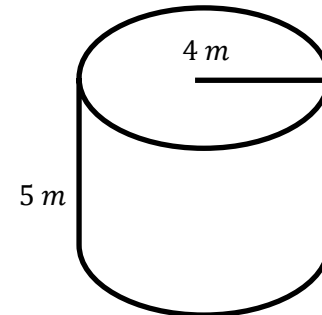


Find the surface of each cylinder.

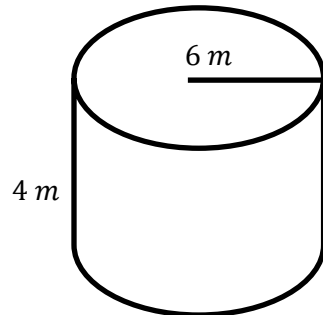
1)



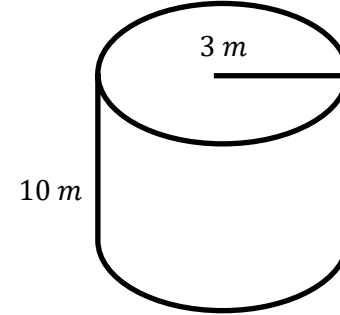
2)



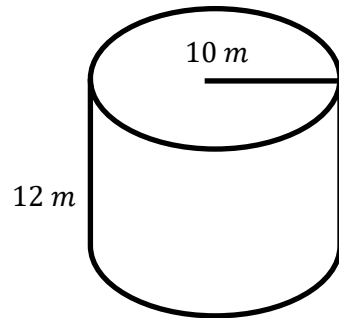
3)



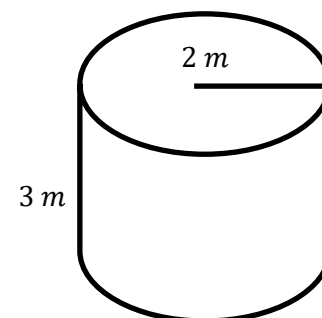
4)



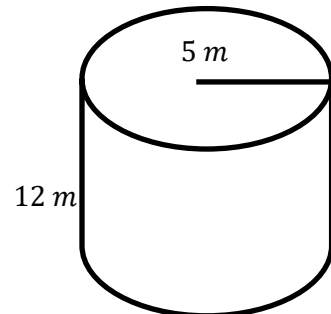
5)



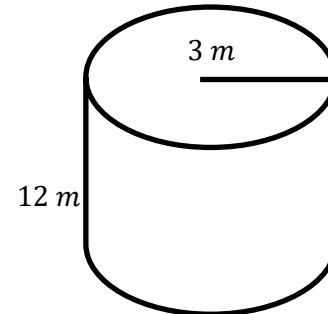
6)



7)



8)



QUIZ ?

So Much More Online! Please visit: [testinar.com](https://testinar.com)



MORE ?

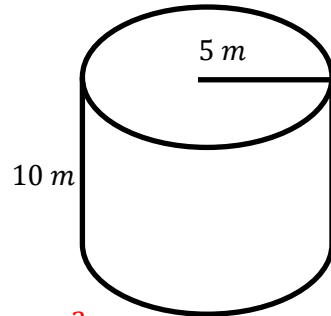


## Answers

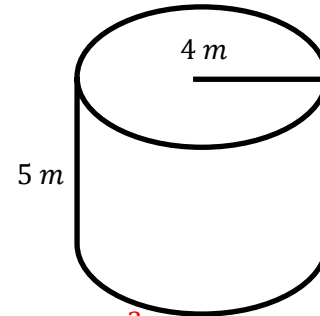


Find the surface of each cylinder.

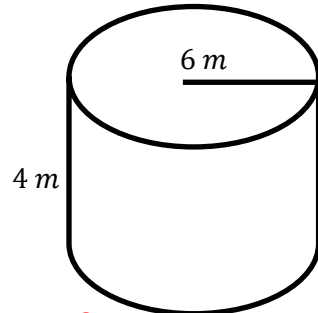
1)  $S = 471 \text{ m}^2$



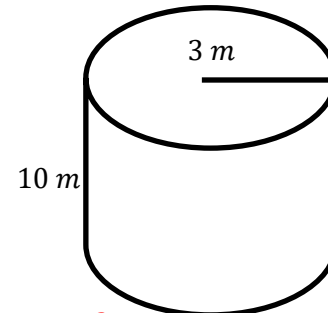
2)  $S = 226.08 \text{ m}^2$



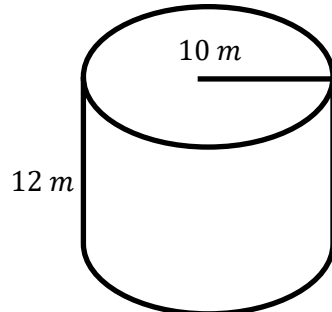
3)  $S = 376.8 \text{ m}^2$



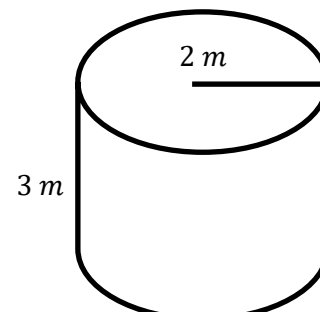
4)  $S = 244.92 \text{ m}^2$



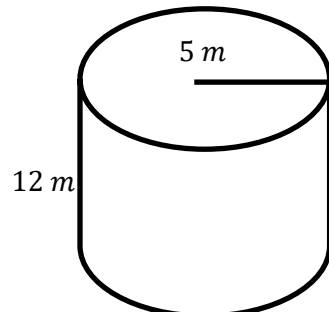
5)  $S = 1381.6 \text{ m}^2$



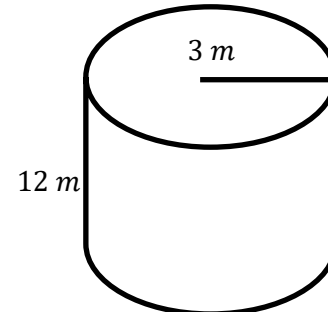
6)  $S = 62.8 \text{ m}^2$



7)  $S = 533.8 \text{ m}^2$



8)  $S = 734.76 \text{ m}^2$



QUIZ ?

So Much More Online! Please visit: [testinar.com](https://testinar.com)

MORE ?